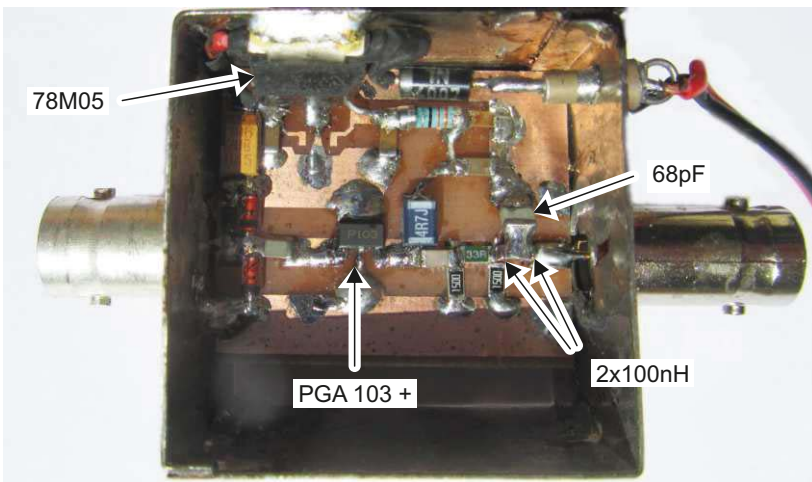
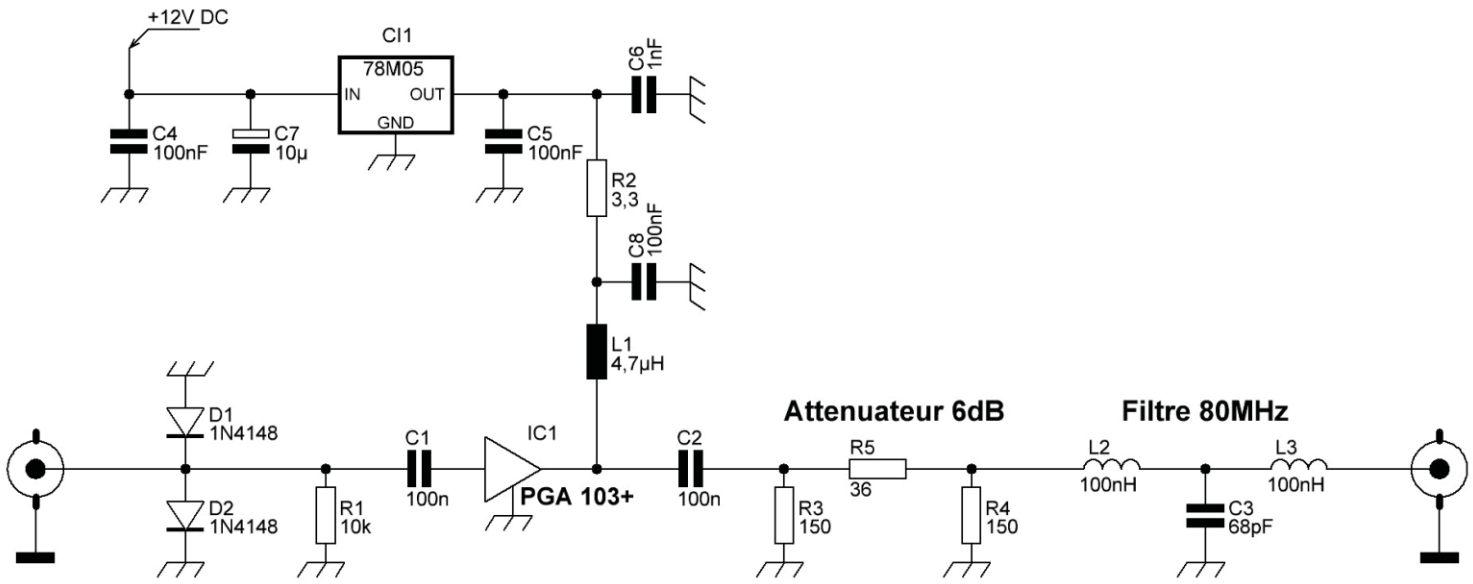
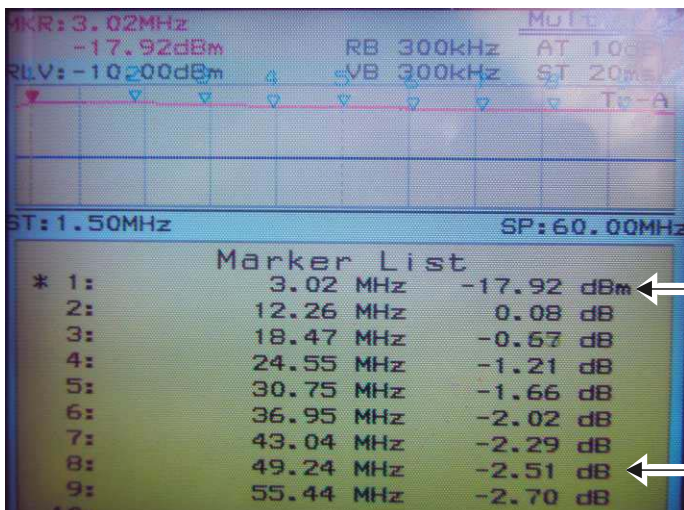


**PREAMPLI HF +50MHZ PGA 103+ GAIN:~20dB 0,5<NF<0,7**



REPONSE entre 1 MHz et 150 MHz



GAIN ~22 dB

GAIN ~19,5 dB

TG: -40 dBm